

CESIGN IP Brief

Low Dropout Regulator, Power-on Reset, Oscillator

Features

- 3.3V supply voltage available
- Low dropout regulator
 - ✓ 1.2V output voltage
 - ✓ Max. 150mA output current
- Oscillator
 - ✓ 12MHz frequency output within $\pm 1\%$ error
- Power on reset
 - ✓ LDO1 output level sensing
 - ✓ 20us delay time after LDO1 power on

General Description

The Cesign IP is an integrated analog IP that consist of 1.2V low dropout regulator, 12MHz relaxation oscillator, power on reset circuit having 20us delay time.

Applications

- Analog IP for general integrated IC.

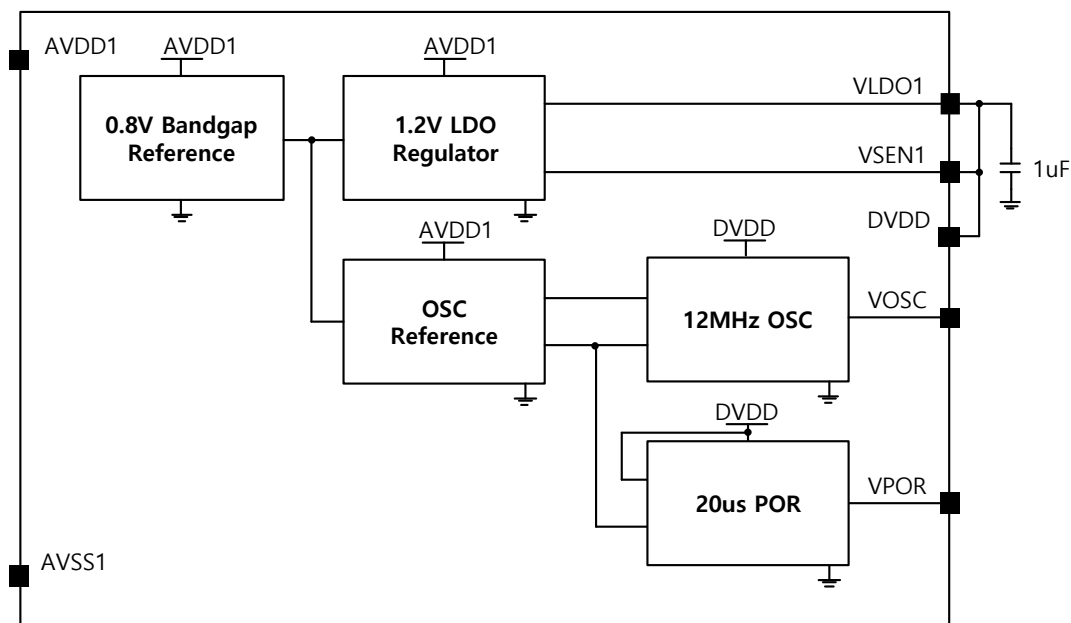


Figure 1. Functional Block Diagram (Macro1)

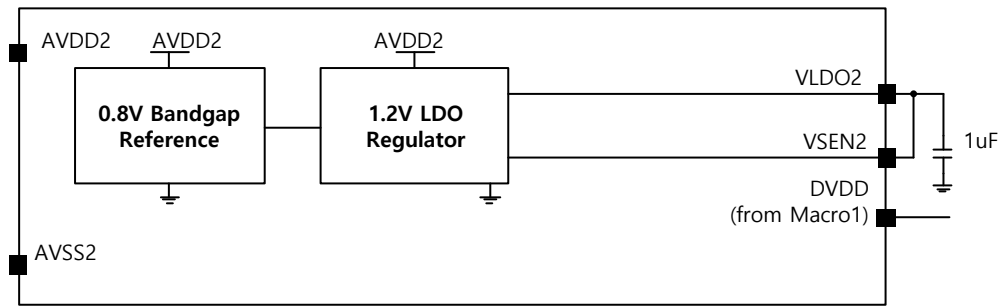


Figure 2. Functional Block Diagram (Macro2)