

16 Channel Constant Current LED Sink Driver

Features

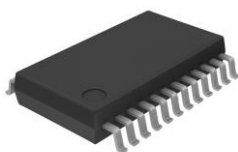
- Supply Voltage Range: 4.5~5.5V
- 16 channel constant sink current output
- Constant output current range: 3~60mA
- Constant current output voltage: 17V(max.)
- Current Accuracy
 - ◆ Between channels :3%(typ.)
 - ◆ Between ICs : 6%(typ.)
- Fast response of output current
- Min. output pulse width of OEB : 200ns

Descriptions

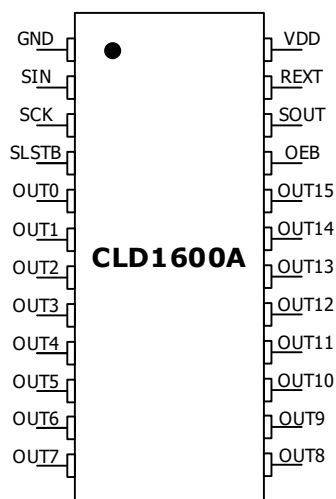
The CLD1600A is a 16-channel constant current sink driver for LEDs. The CLD1600A is comprised of a 16-bit shift-register, a 16-bit output latch and 16 output drivers, which is designed for serial input and parallel output format. The 16 regulated output currents are adjusted through an external resistor.

Package Info.

- 24-LEAD SSOP



Pin Configuration



Terminal Description

Name	I/O	PIN	Description
GND	P	1	The ground pin
SIN	I	2	The serial data input
SCK	I	3	The serial data transfer clock input pin
SLATB	I	4	The latch signal input pin. Data is saved at Low Level.
OUTn	O	5~20	A sink type constant current output pin
OEB	I	21	Enable the output current. Output is off at High Level.
SOUT	O	22	The serial data output pin
REXT	B	23	The current value setting pin
VDD	P	24	The power supply

Absolute Maximum Ratings

Over operating free-air temperature range unless otherwise noted

Symbol	Rating	Max	Unit
VDD	Supply Voltage	7	V
IP/IM	Input Voltage	-0.3 to VDD+0.3	V
T _A	Operating free-air temperature range	-40 to 85	°C
T _J	Operating junction temperature range	-40 to 150	°C
T _{stg}	Storage temperature range	-55 to 150	°C
	ESD Protection		V
	Human Body Model (HBM) (Note 1)	TBD	
	Machine Model (MM) (Note2)	TBD	
	Charged Device Model(CDM)	TBD	

Stresses exceeding those listed under absolute maximum ratings may cause permanent damage to device.

- Human Body Model: 100pF discharged through a 1.5k resistor following specification JESD22/A114.
- Machine Model: 200pF discharged through all pins following specification JESD22/A115.

Recommended Operating Conditions

Symbol	Rating	MIN	MAX	Unit
VDD	Supply Voltage	4.5	5.5	V
V _{IH}	High-level input Voltage (SIN,SCK,SLATB,OEB)	0.7*VDD	VDD	V
V _{IL}	Low-level input Voltage (SIN,SCK,SLATB,OEB)	0	0.3*VDD	V
T _A	Operating free-air temperature range	-40	85	°C

Operating Characteristics

Parameter	Symbol	Conditions	MIN	TYP	MAX	Unit
Power supply voltage	V _{DD}		4.5		5.5	V
Output terminal voltage	V _{OUT}	OUT0~OUT15			17	V
Output current	I _{OUT}	OUT0~OUT15, DC	3		60	mA
	I _{OH}	SOUT			-1	mA
	I _{OL}	SOUT			1	mA
Input voltage	'H'	V _{IH}	0.7VDD		VDD	V
	'L'	V _{IL}	GND		0.3VDD	V
Output voltage	'H'	V _{OH}	0.9VDD		VDD	V
	'L'	V _{OL}	GND		0.1VDD	V
Current error	D _{IOUT1}	CH to CH		±3		%
		Chip to Chip		±6		%
Constant current vs. output voltage regulation	D _{IOUT2}	V _{OUT} within 1V to 3V		±0.1		%/V
Constant current vs. supply voltage regulation	D _{IOUT3}	VDD within 4.5V to 5.5V		±0.1		%/V
Pull up resistor	R _{UP}		120	200		kΩ
Pull down resistor	R _{DOWN}		120	200		kΩ
Supply current	OFF	I _{DD(OFF)}		7		mA
	ON	I _{DD(ON)}	I _{OUT} =60 mA	14		mA

Switching Characteristics

Parameter	Symbol	Conditions	MIN	TYP	MAX	Unit
Propagation delay	CLK-OUTn	t_{pLH1}		50		ns
	SLATB-OUTn	t_{pLH2}		50		ns
	OEB-OUTn	t_{pLH3}		20		ns
	CLK-SOUT	t_{pLH}		20		ns
Propagation delay	CLK-OUTn	t_{pHL1}		100		ns
	SLATB-OUTn	t_{pHL2}		100		ns
	OEB-OUTn	t_{pHL3}		50		ns
	CLK-SOUT	t_{pHL}		20		ns
Pulse width	CLK	$t_{W(CLK)}$	20			ns
	SLATB	$t_{W(L)}$	20			ns
	OEB	$t_{W(OEB)}$	200			ns
Hold time for SLATB	$t_{H(L)}$			TBD		ns
Setup time	$t_{su(L)}$			TBD		ns
Hold time for SIN	$t_{H(D)}$			TBD		ns
Setup time for SIN	$t_{su(D)}$			TBD		
Clock frequency	f_{CLK}	Cascade operation		25		MHz
CLK rise time	t_r			TBD		ns
CLK fall time	t_f			TBD		ns

Note. 1 VL means the load supply voltage

2. RL and CL mean the resistor and capacitor in parallel between load supply and OUTn